

GHC-70 Sliding Door Latch

Features

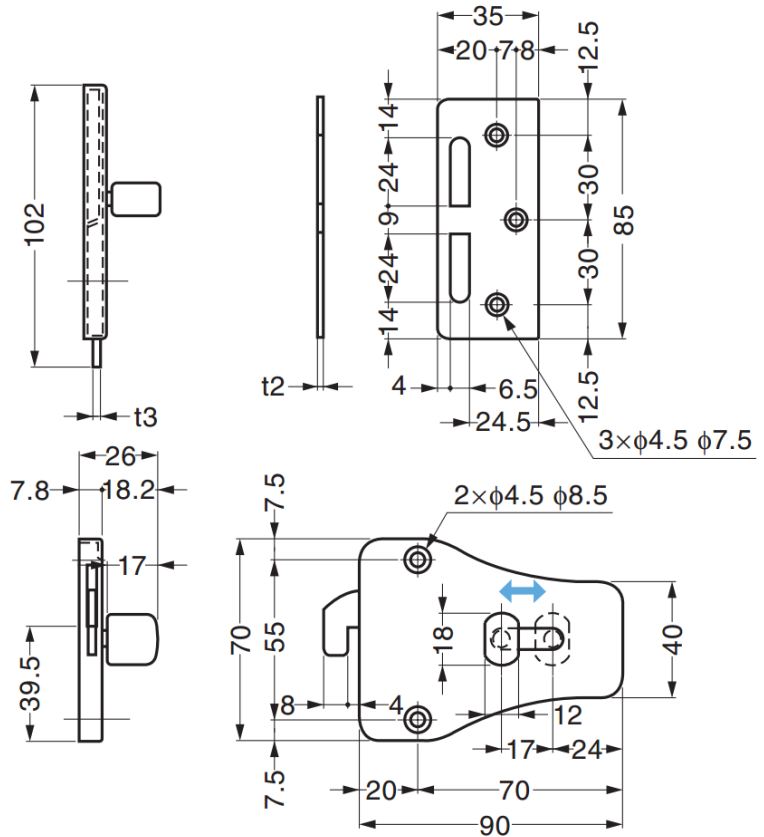
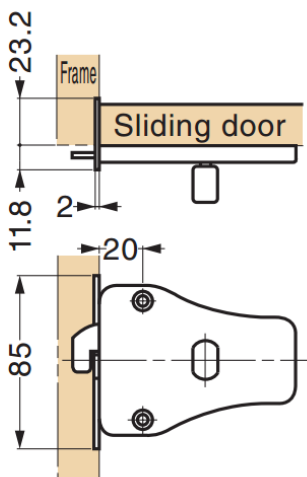
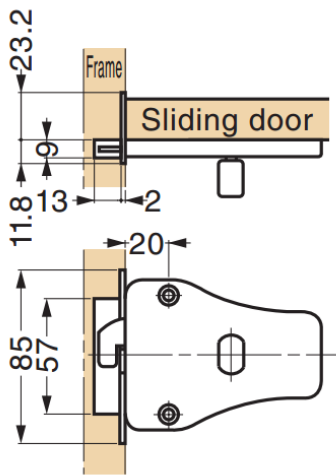
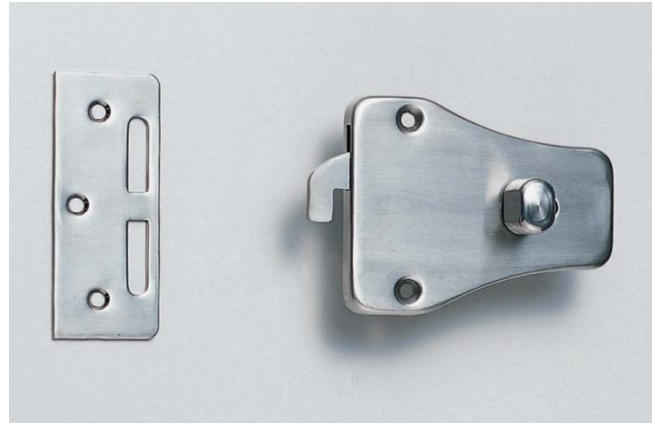
- Ideal for harsh and high corrosion environments
- Large lever for barrier-free design
- Easy installation, flat and compact design for various application

Material

- Stainless steel 304, satin finish

Parts Included

- Countersunk head wood screw 3.8×20 (SUS)
- Countersunk head wood screw 3.5×20 (SUS)



Part No.
GHC-70